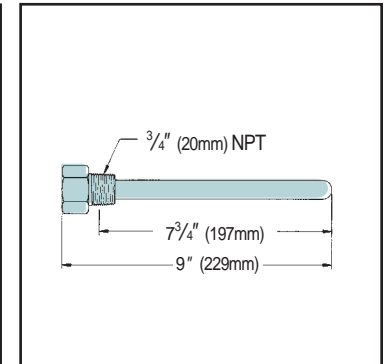
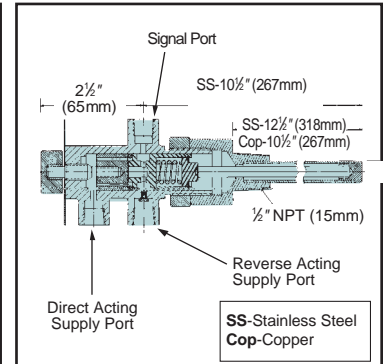
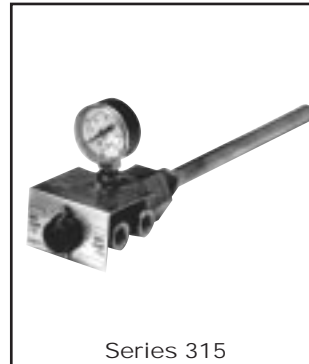


## Pneumatic Temperature Control Pilots

### Series 315 PNT For Shop Quality Air

The Series 315 PNT Pneumatic Temperature pilots are designed for applications such as refineries and factories, or others where rapidly changing load requirements occur. Pneumatic temperature pilots provide greater accuracy than self-contained temperature pilots. **An Air Pressure Pilot, an Air PRV Regulator and a Series 2000 Main Valve Steam Regulator *must* be used with the Model 315 PNT.**

- Lightweight, compact size prevents strain on mounting pipes
- Can be remotely located from the Main Valve and Air Pressure Pilot
- Bi-metallic temperature sensing
- Bulb options:
  - Brass
  - Teflon® coated brass
  - Stainless Steel
- Optional wells (for brass bulb models only) allow bulb removal without draining system
- Air Consumption 0.50 scfm (.014m<sup>3</sup>)
- Supply Air Pressure
  - Minimum 15 psig (1.0 bar)
  - Maximum 36 psig (2.4 bar)
- Temperature Control Range
  - 50-300°F (10-149°C)
  - 200-450°F (93-232°C)
- Accuracy of control ± 4°F (± 2.2°C) with system recirculation



## Ordering Information

### Pneumatic Temperature Pilot

Model Number	Part Number	Temperature Range °F (°C)	Weight (Approx.) lbs. (kg)
315 Brass	402967	50-300 (10-149)	3 (1.4)
315 Teflon coated Brass	402970	50-300 (10-149)	3 (1.4)
315 Stainless Steel	402973	50-300 (10-149)	3 (1.4)
315 Brass	402976	200-450 (90-232)	3 (1.4)
315 Teflon coated Brass	400460	200-450 (90-232)	3 (1.4)
315 Stainless Steel	400461	200-450 (90-232)	3 (1.4)

### Wells (Only for use with Model 315 with a brass bulb)

Model Number	Part Number	Weight (Approx.) lbs. (kg)
Well, Brass	400400	2 (.9)
Well, Teflon coated Brass	400463	2 (.9)
Well, Stainless Steel	403803	2 (.9)

Refer to Ordering Information on:  
 – Air Pressure Control Pilots  
 – Air PRV Regulators