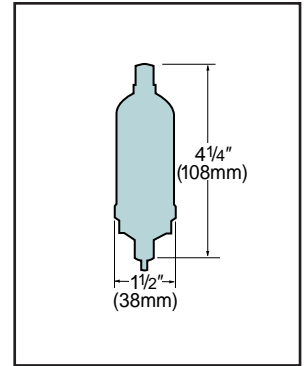


Water Vents (continued)

Model 790 Part No. 401479

Water Vent Valve

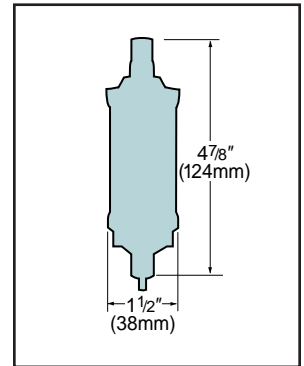
- For removing air from convectors, baseboard and wall radiation
- Safety drain connection for discharging moisture
- Fitting and ferrule for $\frac{3}{16}$ " (4.8mm) OD tubing
- Telescopic siphon tube
- $\frac{1}{8}$ " (4mm) NPT straight shank
- Maximum operating pressure 30 psig (2.1 bar)*
- Maximum pressure 30 psig (2.1 bar)



Model 791 Part No. 401482

Water Vent Valve

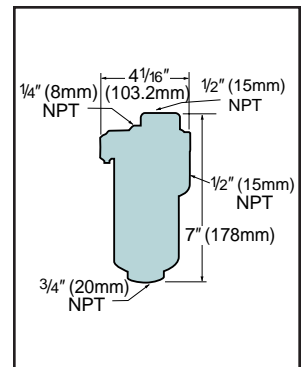
- For convectors and small mains
- Safety drain connection for discharging moisture
- Fitting and ferrule for $\frac{3}{16}$ " (4.8mm) OD tubing
- Telescopic siphon tube
- $\frac{1}{4}$ " (8mm) NPT straight shank
- Maximum operating pressure 50 psig (3.5 bar)*
- Maximum pressure 50 psig (3.5 bar)



Model 792 Part No. 401494

High Pressure Water Vent Valve

- For releasing air from hot or cold water or glycol mains, hydronic heating and chilling systems, storage and processing tank filters, centrifugal pumps with specific gravity greater than 0.7
- Cast iron body and cover, stainless steel interior
- Maximum operating pressure 250 psig (17.3 bar)*
- Maximum hydrostatic pressure 350 psig (24.2 bar)
- Maximum temperature 300°F (149°C)



Model 792 Capacity	
Water Pressure psig (bar)	Air Discharge to Atmosphere cu. ft./min. (cu. m/min.)
100 (6.9)	10 (.28)
150 (10.3)	15 (.42)
200 (13.8)	20 (.57)
250 (17.3)	25 (.70)

*Maximum pressure against which the vent can open.