

Main Steam Vents

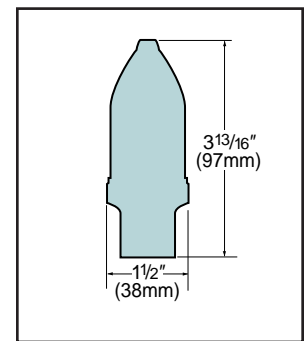
How to Select Steam Vents

| Model Number | Radiator (Angle Type) | Convactor (Bottom Inlet) | Unit Heater | Mains | Thermostatic Vent (only) | Remarks |
|--------------|-----------------------|--------------------------|-------------|-------|--------------------------|--------------------|
| 1A | X | | | | | Adjustable Orifice |
| 70A | X | | | | | Fixed Orifice |
| 40 | X | | | | | Fixed Orifice |
| 1B | | X | | | | Adjustable Orifice |
| 41 | | X | | | | Fixed Orifice |
| 43 | | X | | | | Fixed Orifice |
| 45 | | X | | | | Fixed Orifice |
| 71A | | X | | | | Fixed Orifice |
| 71B | | X | | | | Fixed Orifice |
| 71C | | X | | | | Fixed Orifice |
| 500 | | X | | | | Moisture Type |
| 4A | | | | X | | Small Systems |
| 75 | | | | X | | Low Pressure |
| 75H | | | | X | | High Pressure |
| 76 | | | | X | | Vacuum Systems |
| 3 | | | | | X | Paul Systems |
| 74 | | | X | | | Unit Heaters |
| 4 | | | | | X | Small Systems |
| 8C | | | | | X | High Pressure |

Model 4A Part No. 401413

Air Valve (non-vacuum)

- Float-type thermostatic vent
- For residential or small one-pipe or two-pipe systems
- Single non-adjustable port
- ½" (15mm) NPT female and ¾" (20mm) NPT male straight shank
- Install 6-10" (150-250mm) above horizontal return and 18" (450mm) above the boiler water line
- Maximum operating pressure 2 psig (0.13 bar)*

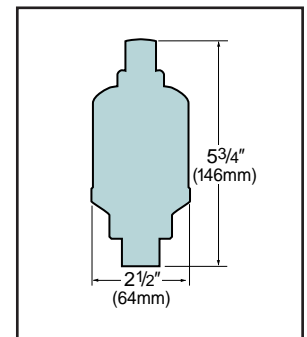


Model 75 Part No. 401434

75H Part No. 401437

Air Valve (non-vacuum)

- Float-type thermostatic vent
- For medium and large systems
- Single non-adjustable port
- ½" (15mm) NPT female and ¾" (20mm) NPT male straight shank
- Maximum operating pressure*
 - Model 75 3 psig (0.2 bar)
 - Model 75H 10 psig (0.7 bar)
- Maximum pressure 15 psig (1.0 bar)



*Drop away pressure (maximum pressure against which the vent can open).