

Boiler Feed Units (Stock)

Hoffman boiler feed units are used to return condensate to the boiler. Applications include residential, commercial, and industrial steam heating, and

industrial processing; dry cleaning plants, chemical refineries, wood pulp paper processing, textile mills, and manufacturing facilities.

NEW
Series HBF™

- For systems up to 27,800 sq. ft. EDR or up to 200 (149 kW) Boiler HP
- Includes steel receiver with HoffGuard™ corrosion resistant coating
- Available with pumps in simplex or duplex design
- Low height NPT inlet for easy return line piping
- Separate NPT connections provide a secondary vent for safe operation
- NPT drain connection
- Float operated internal water make-up water feeder
- 100% factory tested as a complete unit
- Includes water level gauge with protective brass rods and shut-off valves
- Optional equipment
 - Inlet basket strainer
 - Y-strainer
 - Control panels for wall mounting
- Pump seal maximum temperature 250°F (121°C)
- Pump maximum temperature 210°F (99°C)
- Built to order units for alternate duty point are available by special request (consult factory)



Series HBF

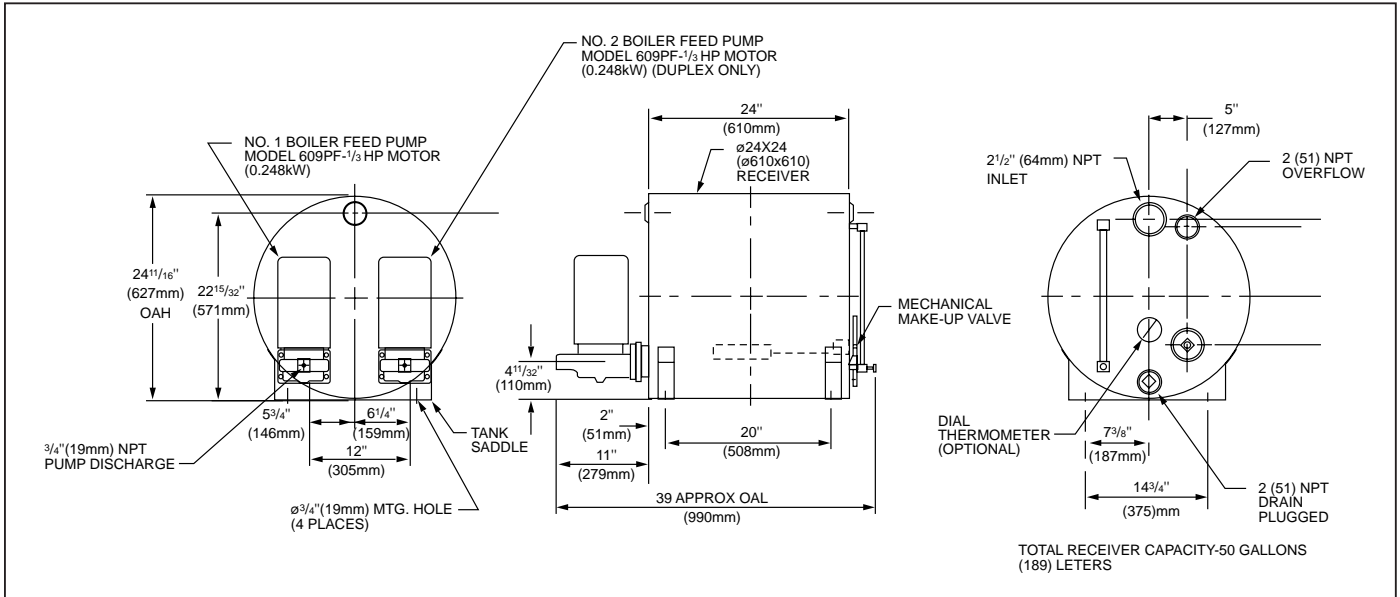
Ordering Information

Open drip proof motors only. Single phase, 60Hz, 115/230 volt.

Model Number	Part Number	Sq. Ft. EDR	Pumps	Boiler HP (kW)	Discharge Pressure		Pump Capacity		Motor		Receiver		
					PSIG (kPa)	GPM (LPS)	HP (kW)	Total Gal (Liters)	Storage Gal (Liters)	Storage Minutes			
50HBF-1520	161051	7,000	Simplex	50 (37)	20 (138)	15 (0.9)	15 (0.9)	1/3 (0.2)	50 (189)	39 (148)	11		
	161052		Duplex										
100HBF-1520	161053	13,800	Simplex	100 (75)	20 (138)	15 (0.9)	15 (0.9)	1/3 (0.2)	100 (379)	83 (314)	11		
	161054		Duplex										
100HBF-2030	161055	13,800	Simplex	100 (75)	30 (207)	20 (1.3)	20 (1.3)	3/4 (0.6)	100 (379)	83 (314)	11		
	161056		Duplex										
200HBF-3020	161057	27,800	Simplex	200 (149)	20 (138)	30 (1.9)	30 (1.9)	1/2 (0.4)	200 (757)	172 (651)	12		
	161058		Duplex										
200HBF-3030	161059	27,800	Simplex	200 (149)	30 (207)	30 (1.9)	30 (1.9)	1 (0.7)	200 (757)	172 (651)	12		
	161060		Duplex										
200HBF-4020	161061	27,800	Simplex	200 (149)	20 (138)	40 (2.5)	40 (2.5)	1 (0.7)	200 (757)	172 (651)	12		
	161062		Duplex										
200HBF-4030	161063	27,800	Simplex	200 (149)	30 (207)	40 (2.5)	40 (2.5)	1 1/2 (1.1)	200 (757)	172 (651)	12		
	161064		Duplex										

Dimensions, in. (mm)

Series HBF™ – 50 HP (37 kW)



Series HBF™ – 100 HP (75 kW) and 200 HP (149 kW)

