

Boiler Feed Units (Stock, continued)

Series VBF®

- For systems up to 27,800 sq. ft. EDR or up to 200 (149 kW) Boiler HP
- Vertical steel receiver with mounting feet
- Available with pumps in simplex or duplex design
- Low height NPT inlet for easy return line piping
- Separate NPT connections provide a secondary vent for safe operation
- NPT drain connection
- Float operated internal water make-up water feeder
- 100% factory tested as a complete unit
- Includes water level gauge with protective brass rods and shut-off valves
- Optional equipment
 - Inlet basket strainer
 - Y-strainer
 - Control panels for wall mounting
- Pump seal maximum temperature 250°F (121°C)
- Pump maximum temperature
 - 207°F (97°C) — Model 200VBFS-30 & 200VBFD-30
 - 210°F (99°C) — All other Models



Ordering Information

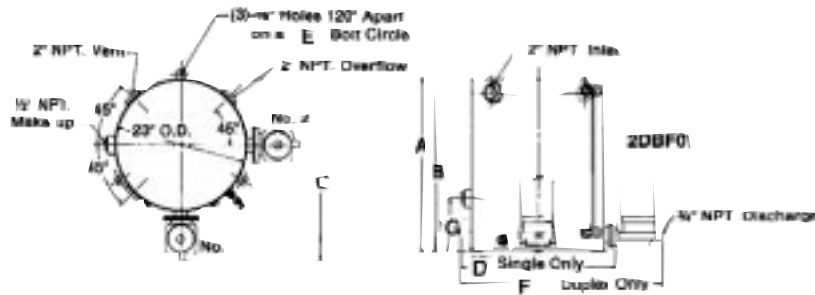
Open drip proof motors only. Single phase, 60Hz, 115/230 volt.

Model Number	Part Number	Sq. Ft. EDR	Pumps	Boiler HP (kW)		Discharge Pressure		Pump Capacity		Motor		Receiver		
						PSIG (kPa)	GPM (LPS)	HP (kW)	Total Gal (Liters)	Storage Gal (Liters)	Storage Minutes			
30VBFS-B 30VBFD-B	161024 161025	4,200	Simplex Duplex	30 (22)	20 (138)	9 (0.6)	1/3 (0.2)	30 (114)	18 (68)	9				
50VBFS-B 50VBFD-B	161001 161002	7,000	Simplex Duplex	50 (37)	20 (138)	15 (0.9)	1/3 (0.2)	50 (189)	39 (148)	11				
100BFS-B 100VBFD-B	161003 161004	13,800	Simplex Duplex	100 (75)	20 (138)	15 (0.9)	1/3 (0.2)	100 (379)	83 (314)	11				
200VBFS-20 200VBFD-20	161026 161027	27,800	Simplex Duplex	200 (149)	20 (138)	30 (1.9)	1/2 (0.4)	200 (757)	172 (651)	12				
200VBFS-30 200VBFD-30	161006 161007	27,800	Simplex Duplex	200 (149)	30 (207)	30 (1.9)	1 (0.7)	200 (757)	172 (651)	12				

Dimensions, in. (mm)

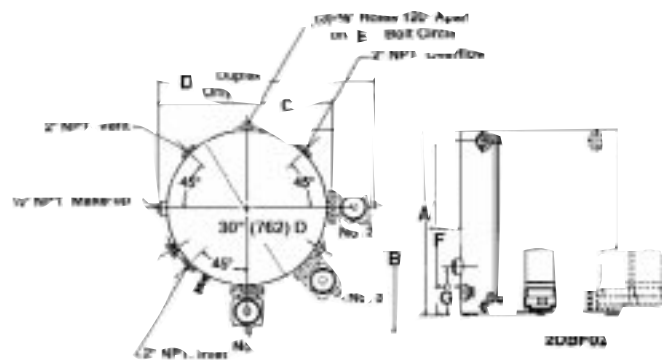
Roughing in Dimensions Only - Not to be Used for Installation

Series VBF® – 30 HP (22 kW) and 50 HP (37 kW)



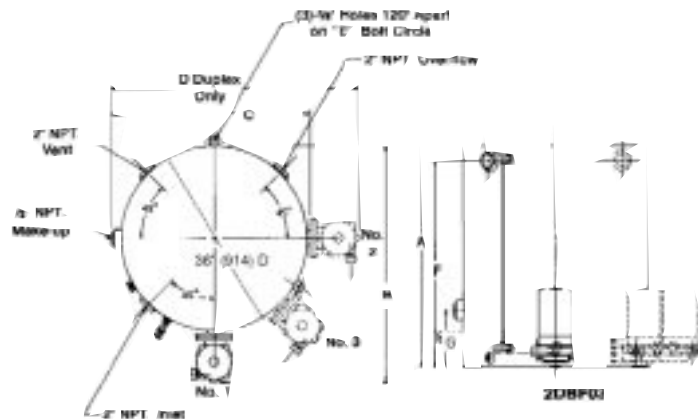
RECEIVER DIMENSIONS								
RECEIVER	A	B	C	D	E	F	G	CAPACITY
30 VBF	20 1/4 (514)	17 3/4 (451)	33 1/2 (850)	27 (685)	24 3/4 (628)	35 3/8 (911)	9 1/4 (235)	30 Gallons (114 Liters)
50 VBF	30 1/4 (768)	27 3/4 (705)	33 1/2 (850)	27 (685)	24 3/4 (628)	35 3/8 (911)	9 1/4 (235)	50 Gallons (189 Liters)

Series VBF® – 100 HP (75 kW)



RECEIVER DIMENSIONS							
RECEIVER	A	B	C	D	E	F	G
100VBF	36 1/4 (920)	40 1/4 (1022)	33 3/4 (857)	41 3/4 (1060)	31 1/2 (800)	33 1/4 (844)	9 1/4 (235)

Series VBF® – 200 HP (149 kW)



RECEIVER DIMENSIONS								
RECEIVER	A	B	C	D	E	F	G	CAPACITY
200VBF	48 1/2 (1188)	46 1/4 (1175)	39 1/2 (1003)	47 3/4 (1213)	37 1/2 (919)	45 1/2 (1156)	9 1/4 (235)	200 Gallons (757 Liters)