

The Model 3300 pneumatic pressure controller combines a simple principle of operation and few moving parts with a rugged construction to make an ideal pressure controller for demanding applications.

Features

- **Rugged Design** – Aluminum Case and Cover can withstand impacts that would fracture the plastic cases of our competitors.
- **Field Reversible** – Simply move the orifice block and fulcrum pin to the other side of the flapper

assembly and rotate both 180° (easy-to-follow instructions located on the inside cover).

- **Simple Adjustments** – Pressure setpoint changes are made with a single knob adjustment. Proportional band adjustments are made by moving the fulcrum pin along a graduated scale.
- **Flexible Mounting Options** – Can be mounted on actuator yoke, diaphragm housing, panel, or 2-inch pipestand.



Figure 1. Model 3300 Pneumatic Pressure Controller, mounted on Model 5400 Control Valve

SPECIFICATIONS:

Input Signal (Bourdon Tube Ranges)

0 to 50 psig (0 to 3.4 bar)
0 to 100 psig (0 to 6.9 bar)
0 to 250 psig (0 to 17.2 bar)
0 to 500 psig (0 to 34.5 bar)
0 to 1000 psig (0 to 68.9 bar)
0 to 1500 psig (0 to 103 bar)
0 to 2500 psig (0 to 172 bar)
0 to 5000 psig (0 to 345 bar)

Setpoint Adjustment

Internal manual adjusting knob

Controller Mode

Proportional (2 to 20% proportional band)

Controller Action

Direct or Reverse (see Figure 2)

Controller Output Signal

3 to 15 psig (0.2 to 1.0 bar)
6 to 30 psig (0.4 to 2.0 bar)

Supply Pressure Requirements

Type: Clean, dry air or non-corrosive gas¹

Normal Operating Supply Pressure²:

3 to 15 psig output: 20 psig (1.4 bar)
6 to 30 psig output: 35 psig (2.4 bar)

Maximum Allowable Supply Pressure:

3 to 15 psig output: 40 psig (2.8 bar)
6 to 30 psig output: 40 psig (2.8 bar)

Maximum Working Pressure

Same as Bourdon Tube rating

Normal Operating Temperature Range

-40 to 150°F (-40 to 66°C)

Construction Materials

| | |
|---------------------------|--|
| Case and Cover: | Die Cast Aluminum |
| Bourdon Tube: | Stainless Steel |
| Pressure Block: | 316 SST |
| Supply and Output Tubing: | 316 SST |
| Input Pressure Tubing: | 316 SST |
| Nozzle: | 316 SST |
| Orifice Block: | Aluminum |
| Mounting Bracket: | Cadmium-plated steel 316 SST (optional) |

Connections

¼ FNPT

Mounting

Actuator Yoke
Actuator Housing
Panel
2-inch pipestand

Options

Compliance with NACE MR-01-75 specifications for H₂S service

1. If the supply gas is flammable or noxious, the controller must be located in a well-ventilated, non-hazardous area.
2. If this pressure is exceeded, control performance may be impaired.

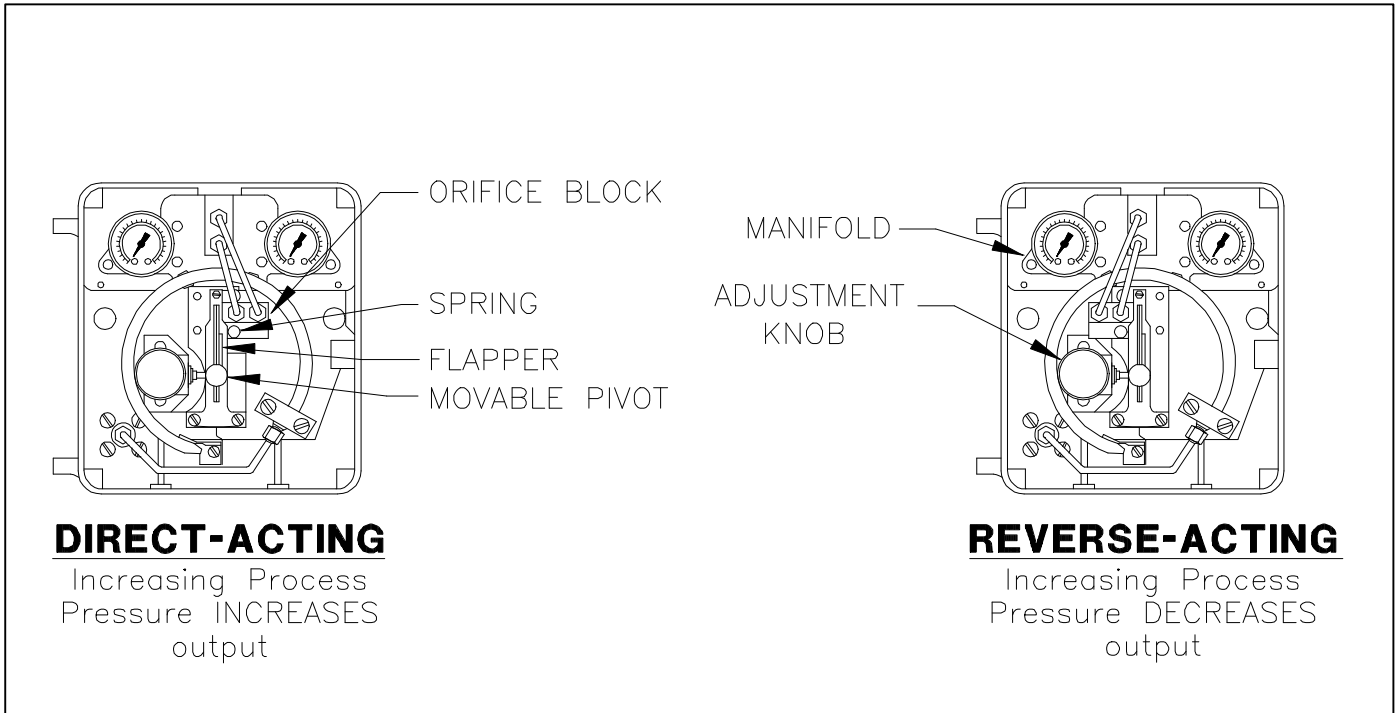
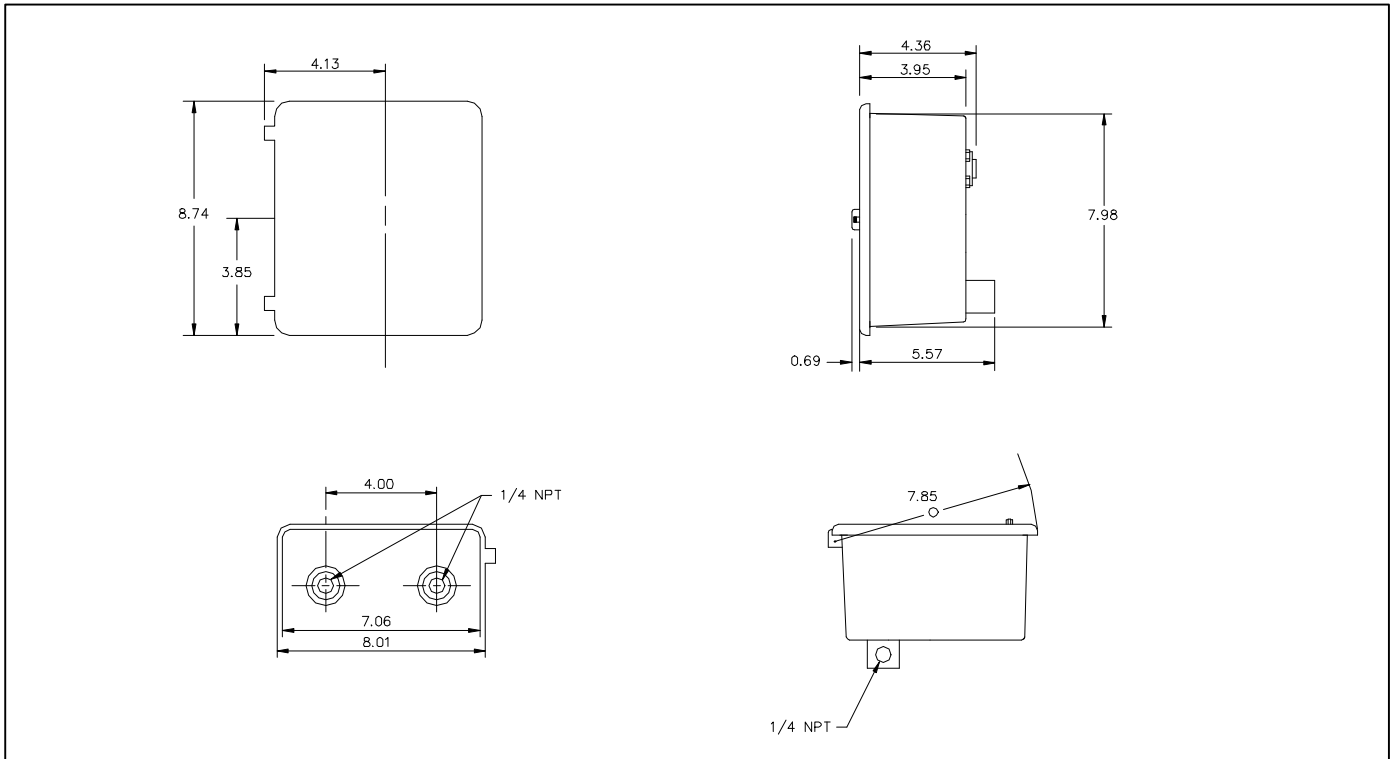


Figure 2. Field-Reversible Controller Action

CONTROLLER DIMENSIONS:



Model Number Information

Sample Model Number: 3300 - 010 R 1 - 0

| INPUT SIGNAL RANGE | CODE |
|--------------------------------|------|
| 0 to 50 psig (0 to 3.4 bar) | 005 |
| 0 to 100 psig (0 to 6.9 bar) | 010 |
| 0 to 250 psig (0 to 17.2 bar) | 025 |
| 0 to 500 psig (0 to 34.5 bar) | 050 |
| 0 to 1000 psig (0 to 68.9 bar) | 100 |
| 0 to 1500 psig (0 to 103 bar) | 150 |
| 0 to 2500 psig (0 to 172 bar) | 250 |
| 0 to 5000 psig (0 to 345 bar) | 500 |

| CONTROLLER ACTION | CODE |
|--|------|
| Direct (Increase output on increasing pressure) | D |
| Reverse (Decrease output on increasing pressure) | R |

| CONTROLLER OUTPUT | CODE |
|----------------------------|------|
| 3-15 psig (0.2 to 1.0 bar) | 1 |
| 6-30 psig (0.4 to 2.0 bar) | 2 |

| MOUNTING | CODE |
|-------------------------------------|------|
| None | - |
| NACE Compliant for Sour Gas Service | N |

| OPTIONS | CODE |
|------------------|------|
| None | 0 |
| Actuator Yoke | 1 |
| Actuator Housing | 2 |
| Panel | 3 |
| 2-inch Pipestand | 4 |

While this information is presented in good faith and believed to be accurate, Mallard Control Company does not guarantee results based upon such information. Mallard Control Company reserves the right to change the design or specifications of these products without notice.

Mallard Control Company, Inc.

P.O. Box 7544
 Beaumont, Texas, USA 77726-7544

Listed by www.ValveDepot.com