

The Model 5660 (Figures 1 and 2) is designed to reduce high inlet pressures to working pressures. Careful design and quality materials throughout assure long, trouble-free operation in the most difficult industrial environments.

SPECIFICATIONS

Port: 0.25 FNPT
 Operating Temp.: -70° to +225°F
 Max Inlet Pressure: 5500psig
 Outlet Ranges:
 • 0 – 125 psi
 • 0 – 150 psi
 • 0 – 225 psi
 Flow Capacities: see Table 1

Materials of Construction:

- Body / Bonnet Forged Brass
- Diaphragm 302 SST
- Seat Nylon
- Seals TFE & Buna-N
- Nozzle 316 SST
- Filter 40 Micron Screen

ORDERING INFORMATION

Max. Outlet Press.	Adjusting Screw	Model Number
125 psi	Slot	5660-1
125 psi	Tee	5660-2
150 psi	Slot	5660-3
150 psi	Tee	5660-4
225 psi	Slot	5660-5
225 psi	Tee	5660-6

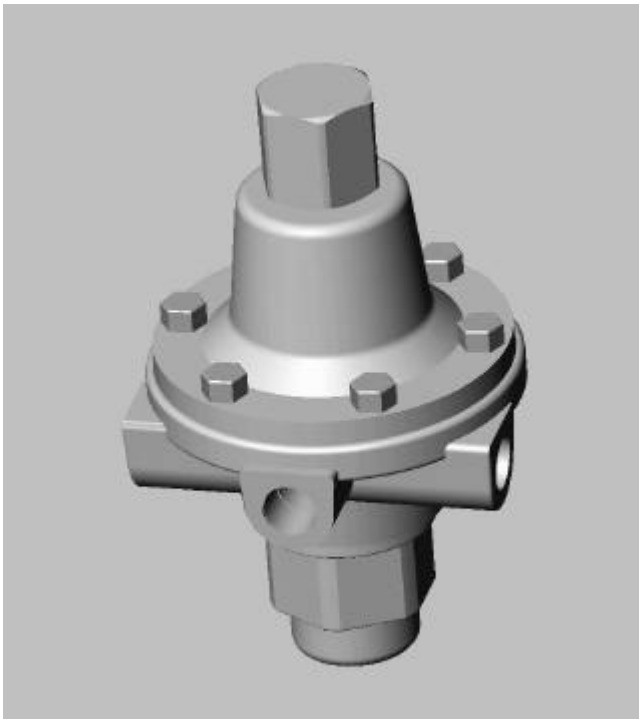


Figure 1. 5660-1

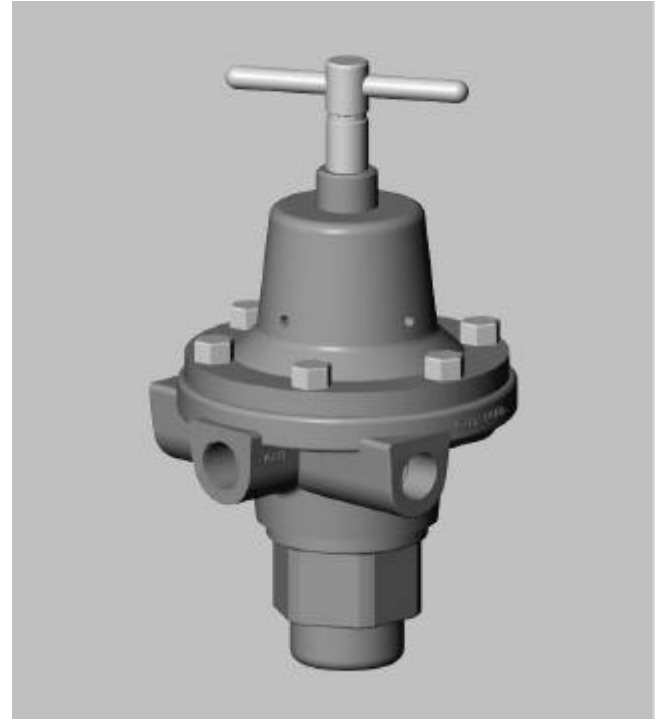


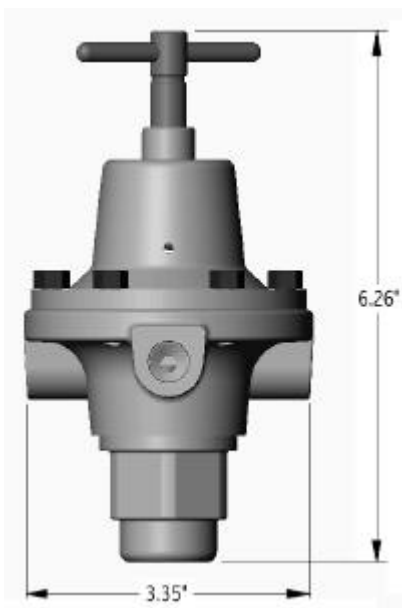
Figure 1. 5660-2



Table 1. Flow Capacities (SCFH of 0.6 SG Gas)

Inlet Pressure	Outlet Pressure	Outlet Range		
		0-120 psig	0-150 psig	0-225 psig
250	20	700	1300	-
	40	120	400	-
	50	60	190	1300
	60	-	90	850
	80	-	-	400
	100	-	-	125
	115	-	-	40
2000	50	3200	7800	-
	60	-	1300	-
	85	-	-	10000
	100	-	-	2800
	115	-	-	500

DIMENSIONS



While this information is presented in good faith and believed to be accurate, Mallard Control Company does not guarantee results based upon such information. Mallard Control Company reserves the right to change the design or specifications of these products without notice.

Mallard Control Company, Inc.

P.O. Box 7544
 Beaumont, Texas, USA 77726-7544